

25-32 4 x 8 Falling Film Chiller Submittal



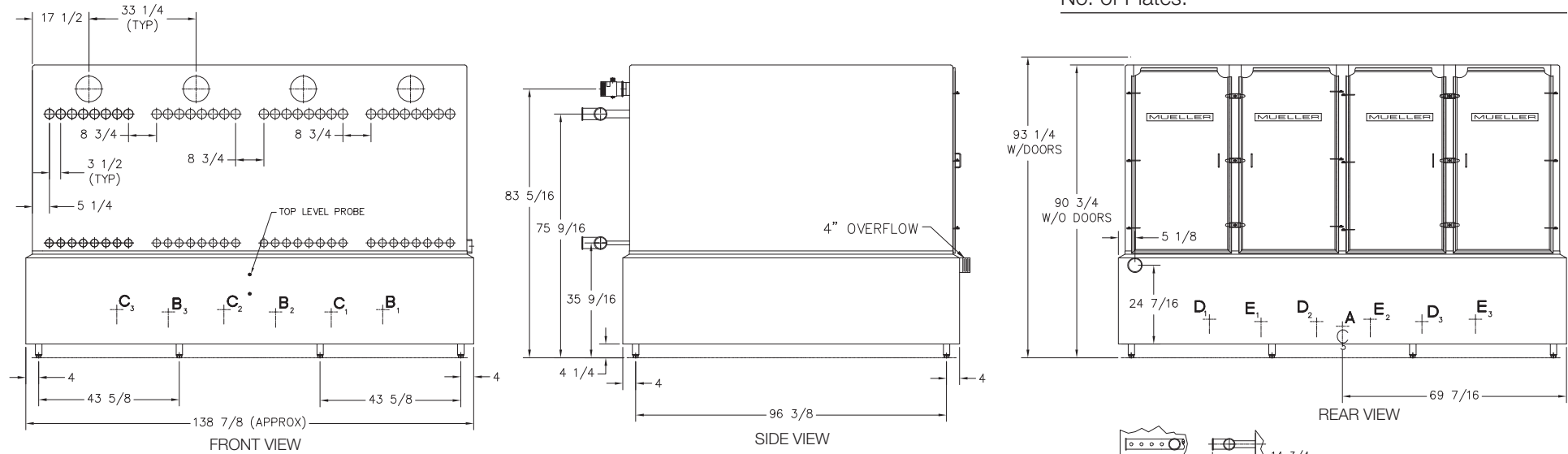
Model No.: _____

Refrigerant Type: _____

Evaporator Temp.: _____

Btuh Capacity: _____

No. of Plates: _____



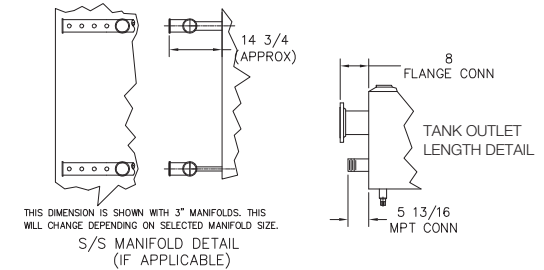
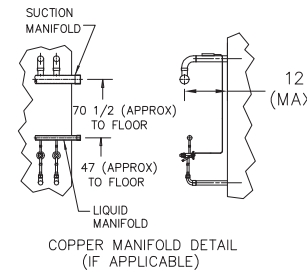
Tank Outlet Location and Size Required:

A: _____ B1: _____ C1: _____ D1: _____ E1: _____

B2: _____ C2: _____ D2: _____ E2: _____

F1: _____ G1: _____

F2: _____ G2: _____



NOTES:

- DO NOT FABRICATE FROM THIS DRAWING, ALL DIMENSIONS ARE SUBJECT TO CHANGE WITHOUT NOTICE.
- ALL DIMENSIONS ARE IN INCHES UNLESS SPECIFIED OTHERWISE.
- (9) NINE FOOT SERVICE SPACE REQUIRED, AT REAR, AROUND FALLING FILM CHILLER ASSEMBLY TO PULL DISTRIBUTION PAN AND TEMP-PLATES.
- SUPPORT LEGS CAN BE ADJUSTED A FULL 2".
- ESTIMATED EMPTY WEIGHT = 3200 LBS.
- SEE MANIFOLD SUBMITTAL FOR SIZES AND ADDITIONAL WEIGHT.

TANK OUTLET SIZE	USABLE TANK CAPACITY (GALLONS)																	
	"K"	"L"	"M"	"N"	"P"	"R"	"S"	"T"	"U"	REAR A	REAR F1 & F2	REAR G1 & G2	REAR H1 & H2	REAR J1 & J2	FRONT B1 & B2	FRONT C1 & C2	FRONT D1 & D2	FRONT E1 & E2
14"RFSO FLG	8 3/16"	----	----	----	----	----	----	----	----	677	----	----	----	----	476	454	432	410
12"RFSO FLG	7 9/16"	----	----	----	8 7/8"	11 3/4"	12 1/8"	12 1/2"	12 7/8"	709	----	----	----	----	476	454	432	410
10"RFSO FLG	6 9/16"	6 3/4"	7 1/8"	7 1/2"	7 7/8"	10 3/4"	11 1/8"	11 1/2"	11 7/8"	766	755	733	711	698	522	500	478	456
8"RFSO FLG	5 9/16"	5 3/4"	6 1/8"	6 1/2"	6 7/8"	9 3/4"	10 1/8"	10 1/2"	10 7/8"	827	816	797	775	753	583	564	542	520
6"RFSO FLG	4 9/16"	4 3/4"	5 1/8"	5 1/2"	6 7/8"	8 3/4"	9 1/8"	9 1/2"	9 7/8"	885	874	852	830	808	641	619	597	575
4" MPT	3 1/2"	3 11/16"	4 1/16"	4 7/16"	4 13/16"	7 11/16"	8 1/16"	8 7/16"	8 13/16"	952	941	919	897	875	708	686	664	642
3" MPT	3"	3 3/16"	3 9/16"	3 15/16"	4 5/16"	7 3/16"	7 9/16"	7 15/16"	8 5/16"	980	969	947	925	903	736	714	692	670

S/S MAT'L TYPE	MAX SHIP WEIGHT (LBS)	MAX OPERATING WEIGHT (LBS)
R-22	304	10,190
R-717	304	10,190

a) TOTAL TANK CAPACITY TO TOP LEVEL PROBE IS 1113 GALLONS.